


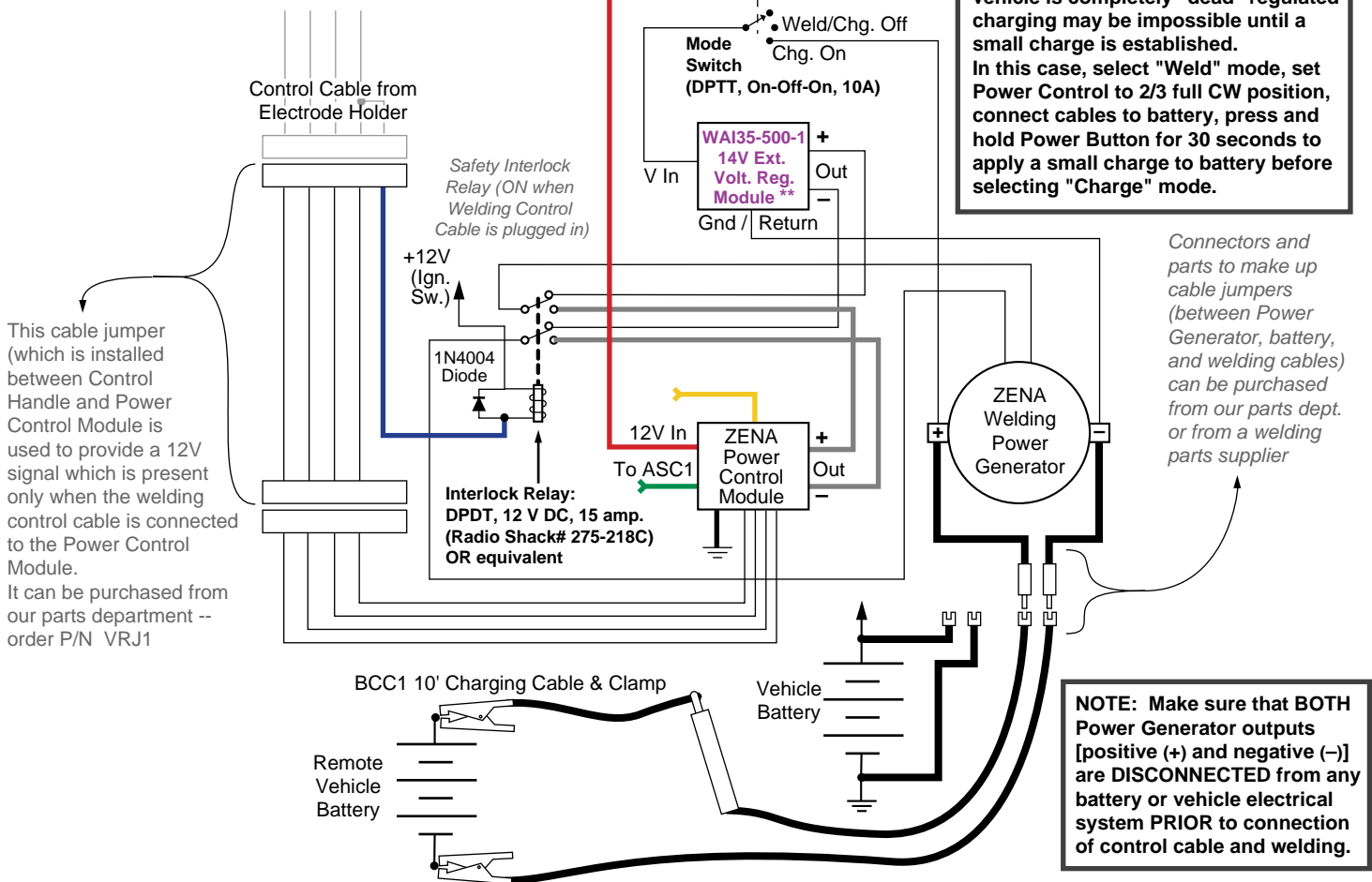
Using an External Voltage Regulator with a ZENA™ power generator

Method of permanently connecting an external voltage regulator to the ZENA power generator for quick charging disabled vehicles OR for using the ZENA power generator as a replacement for an existing alternator

NOTE: Switch to charge mode ONLY when properly connected to a good 12V automotive or marine battery

Optional:  Connect SPST Switch to ASC1 Output for manual fast idle control

NOTE: If the battery in the disabled vehicle is completely "dead" regulated charging may be impossible until a small charge is established. In this case, select "Weld" mode, set Power Control to 2/3 full CW position, connect cables to battery, press and hold Power Button for 30 seconds to apply a small charge to battery before selecting "Charge" mode.



NOTE: For 24 volt charging, replace WAI35-500-1 external 14V regulator with WAI35-503 external 24V regulator. Both 14V and 24V regulators may be used in circuit where dual voltage charging is desired, with appropriate switching. To do this, the Gnd/Return line may be common between both units and unswitched. All other connections (V in and + and - outputs) must be switched together using either a relay or an appropriate multi pole switch (which is rated at at least 10A per contact).