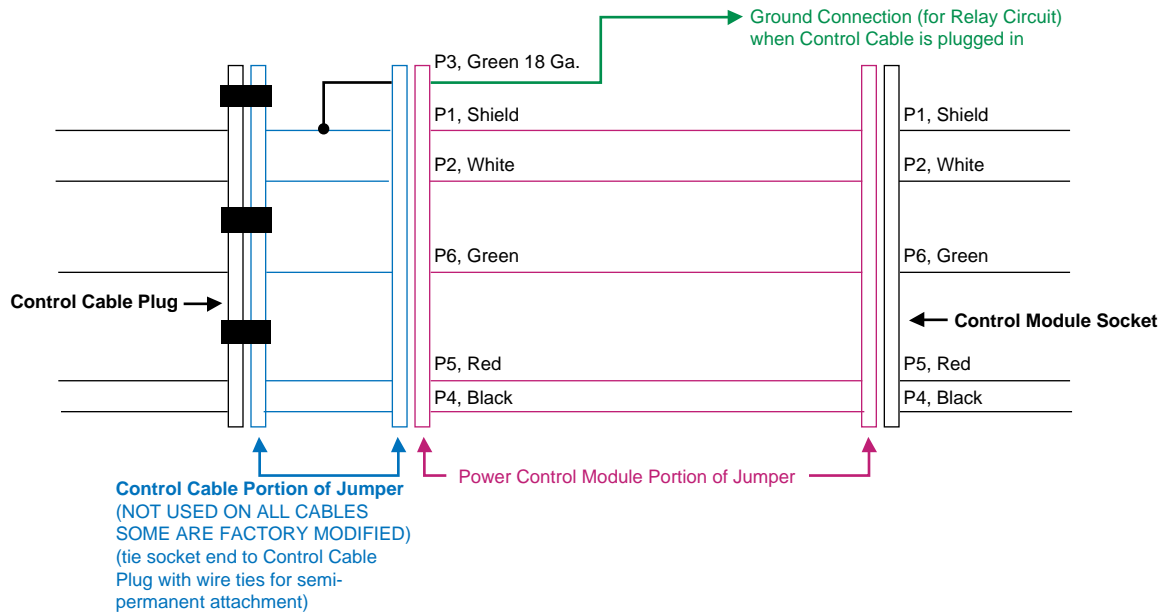


# ZENA™ VRJ1 Voltage Regulator Jumper Assembly



## NOTES / INSTRUCTIONS:

- 1) If you ordered the VRJ1 separately from your welder, the VRJ1 will come to you in two parts. The part **without** the 18 Ga. Green wire is the Control Cable Portion. If you ordered the VRJ1 **WITH** your welder your control cable will be modified in the factory, and you will not required the Control Cable Portion of the VRJ1.
- 2) The Control Cable Portion of the VRJ1 is meant to be semi-permanently attached to the Control Cable. Use supplied cable ties to accomplish this.
- 3) The main portion of the VRJ1 (part with green wire) connects to the Power Control Module OR to the BJ150.4 remote cable connection accessory if installed. It should be connected so that the two portions of the VRJ1 are connected together when welding and disconnected when not welding.
- 4) The purpose of the VRJ1 is to provide an ACTIVE GROUND CIRCUIT which can be used to control a 12V relay.